



Installation Instructions Cart Divider Accessory

for 32" GearBoss® X-Cart™ and Team Cart™

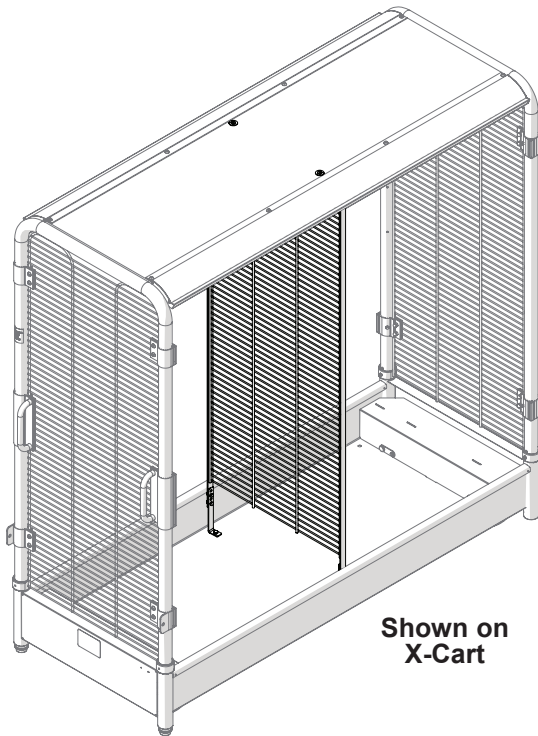
Basic Instructions only!
For more detailed product information, refer to the GearBoss High-Density Storage System Owner's Manual 240A099.

⚠ CAUTION
Make sure anyone assembling, installing or using this product has read and understands these instructions.

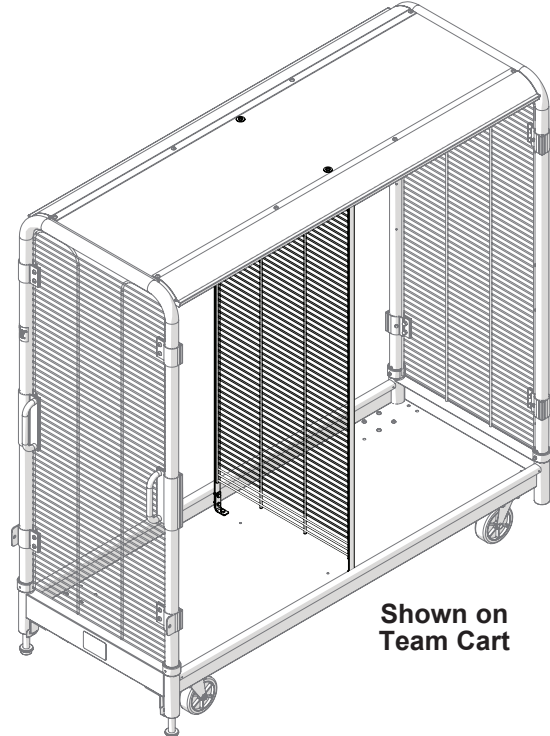
⚠ CAUTION
Failure to comply with Warnings and Cautions in this document or on the equipment can result in damage to property or serious injury.

⚠ CAUTION
To help avoid damage and injury, more than one person is needed for installation.

NOTICE
The cart divider is designed for use with GearBoss 32" X-Carts and Team Carts only. It is not designed for 48" or any other carts.



Shown on X-Cart



Shown on Team Cart

Contents

Required Tools	2	Installation on X-Cart	4
Supplied Hardware	2	Installation on Team Cart	6
Cart Divider Components	3		



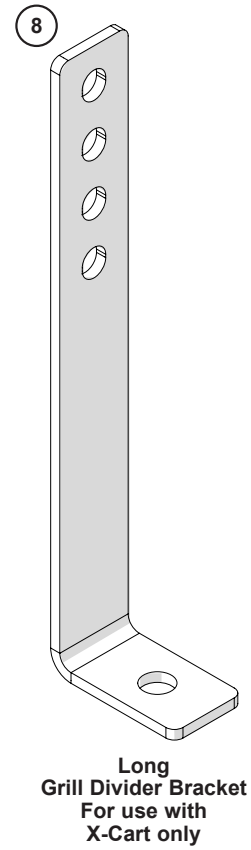
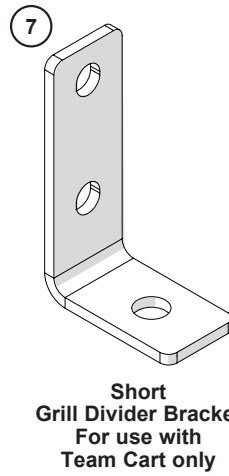
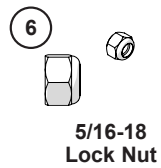
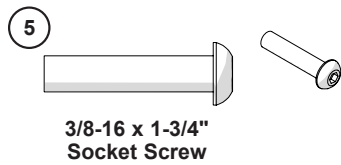
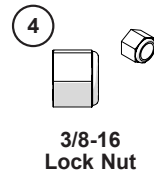
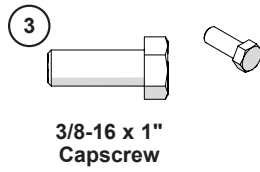
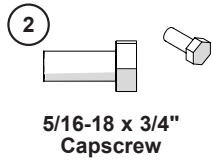
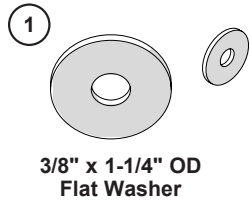
Visit the GearBoss High-Density Storage System web page at gearboss.com for more information.

Note: Please read and understand these instructions before proceeding.
Note: If you need additional information, contact Wenger Corporation using the information below.

Required Tools

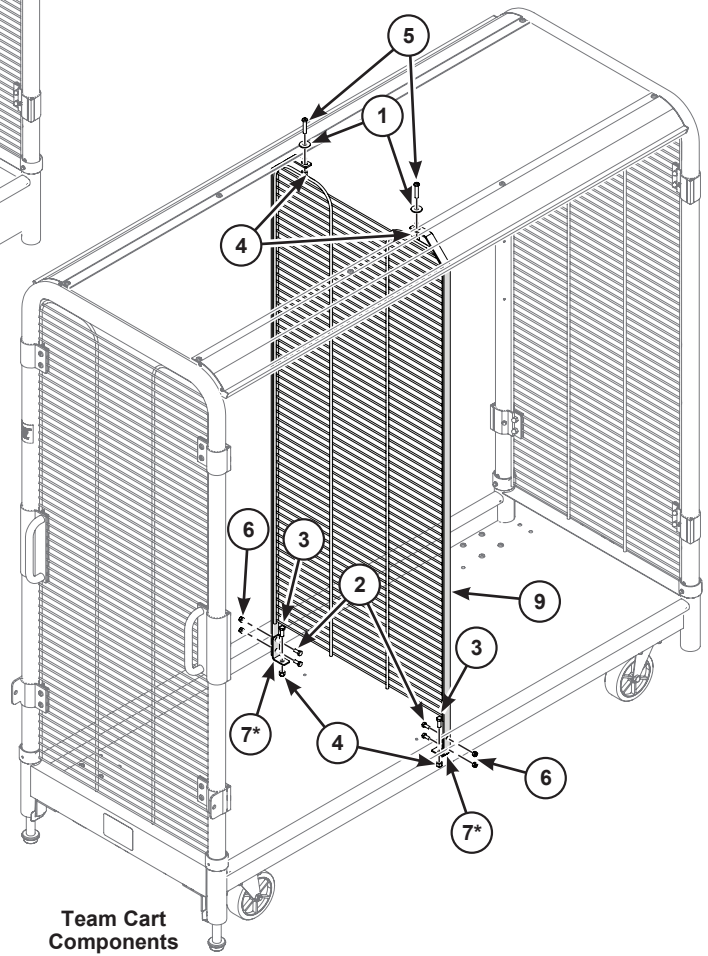
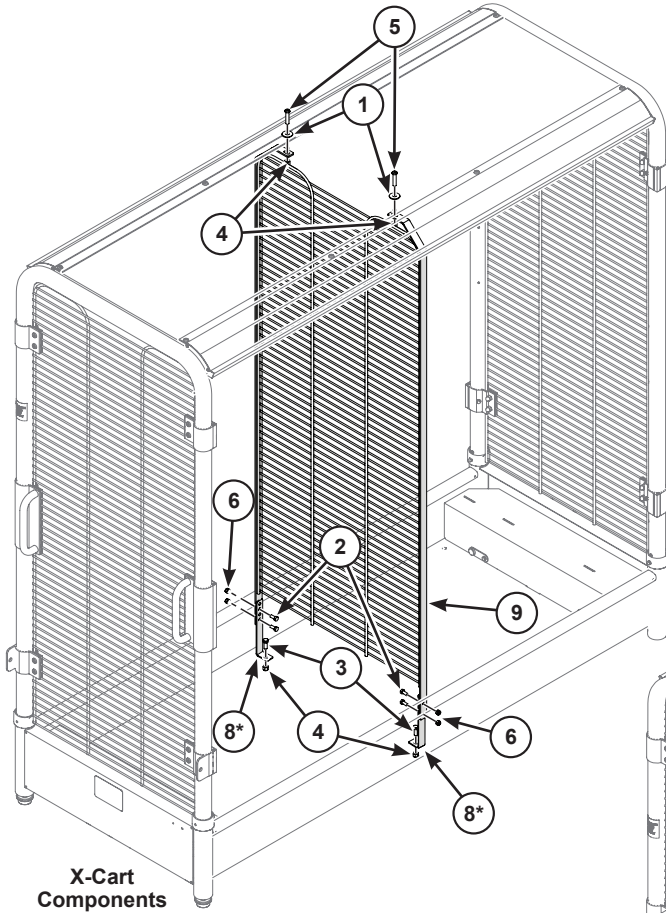
- 1/2", 9/16" Combination wrenches or ratchets
- 7/32" Hex wrench

Supplied Hardware



Cart Divider Components

Item	Qty	Description	Item	Qty	Description
1	2	3/8" x 1-1/4" OD Flat Washer	6	4	5/16-18 Lock Nut
2	4	5/16-18 x 3/4" Capscrew	7*	2	Short Grill Divider Bracket (*for use with Team Cart only)
3	2	3/8-16 x 1" Capscrew	8*	2	Long Grill Divider Bracket (*for use with X-Cart only)
4	4	3/8-16 Lock Nut	9	1	Cart Divider
5	2	3/8-16 x 1-3/4" Socket Screw			

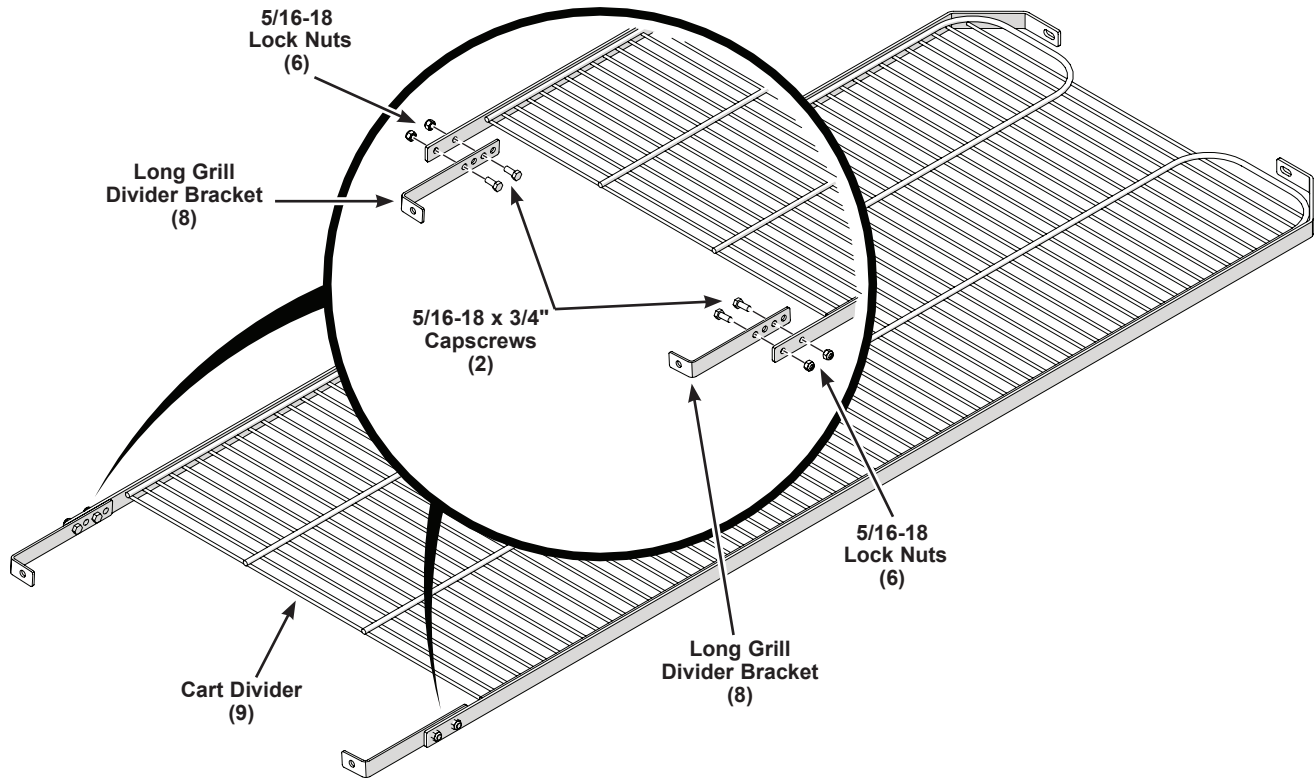


Installation on X-Cart



**This procedure is for installing the cart divider into an X-Cart.
For installing into a Team Cart, go to page 6.**

1. Lay the cart divider (9) flat and align a long grill divider bracket (8) to each side as shown.
Be sure to use the long grill divider brackets (8) and not the short grill divider brackets (7).
2. Attach each bracket to the divider using two 5/16-18 x 3/4" capscrews (2) and two 5/16-18 lock nuts (6).
Only finger-tighten the hardware at this time in case adjustments are needed.



NOTICE

The cart divider is intended to be installed into existing holes in the top and bottom of the cart. If these holes are missing, contact Wenger Corporation for drilling instructions.

Installation on X-Cart (continued)

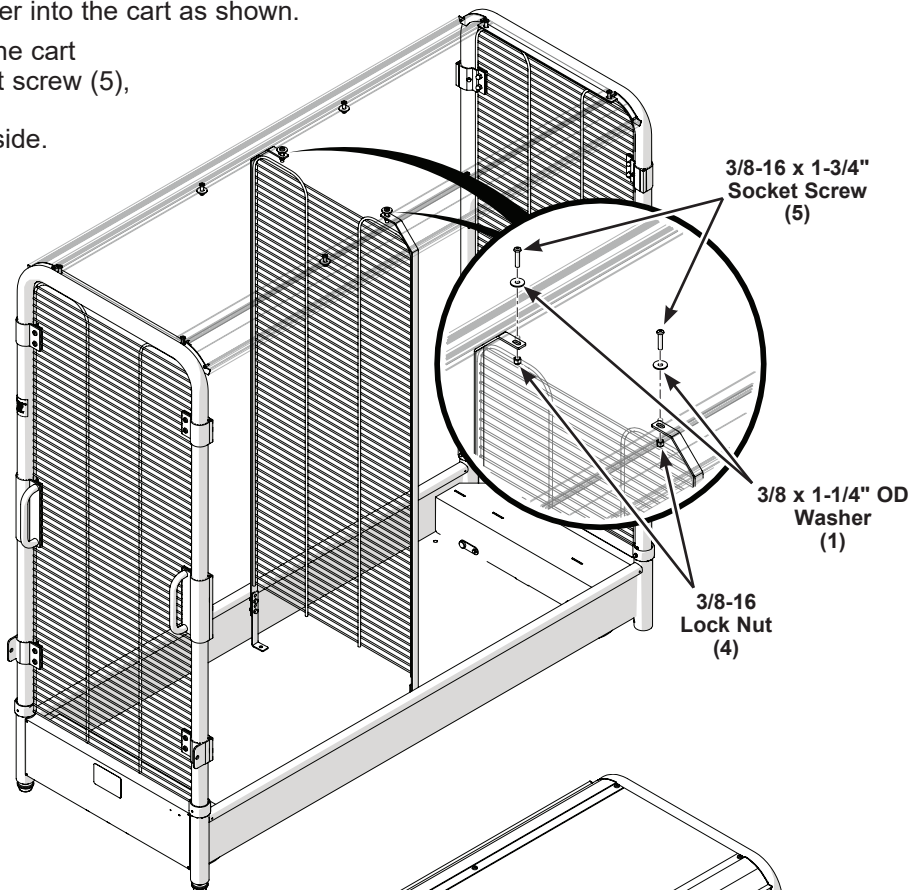
- Carefully fit the assembled divider into the cart as shown.
- Attach the divider to the top of the cart using one 3/8-16 x 1-3/4" socket screw (5), 3/8 x 1-1/4" OD washer (1) and 3/8-16 lock nut (4) in each side.

NOTICE

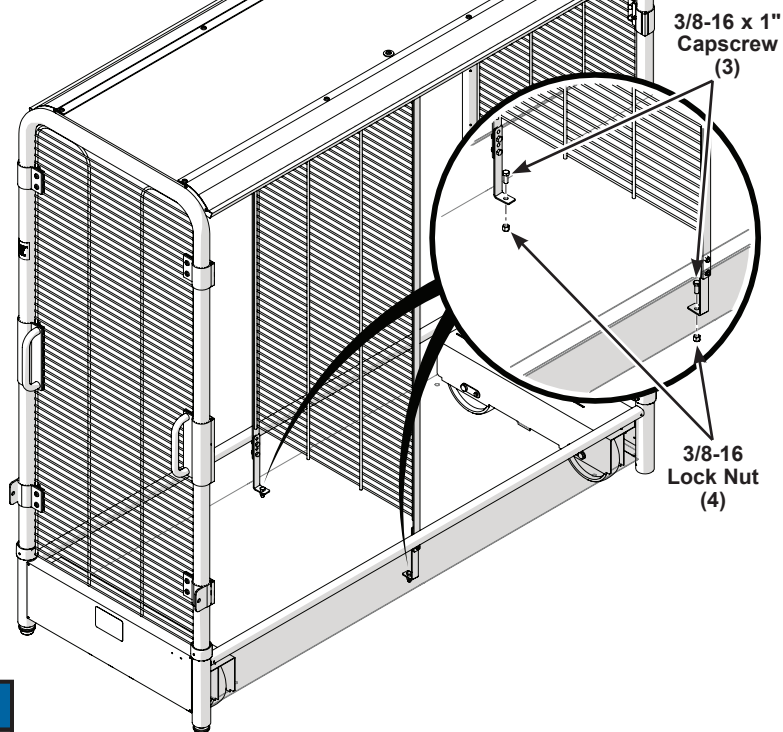
It may be necessary to use a step stool to reach the screws.

CAUTION

Never stand on the cart.



- Attach the divider to the bottom of the cart using one 3/8-16 x 1" capscrew (3) and 3/8-16 lock nut (4) in each side.



- With the divider in position, tighten the hardware attached during step 2.

NOTICE

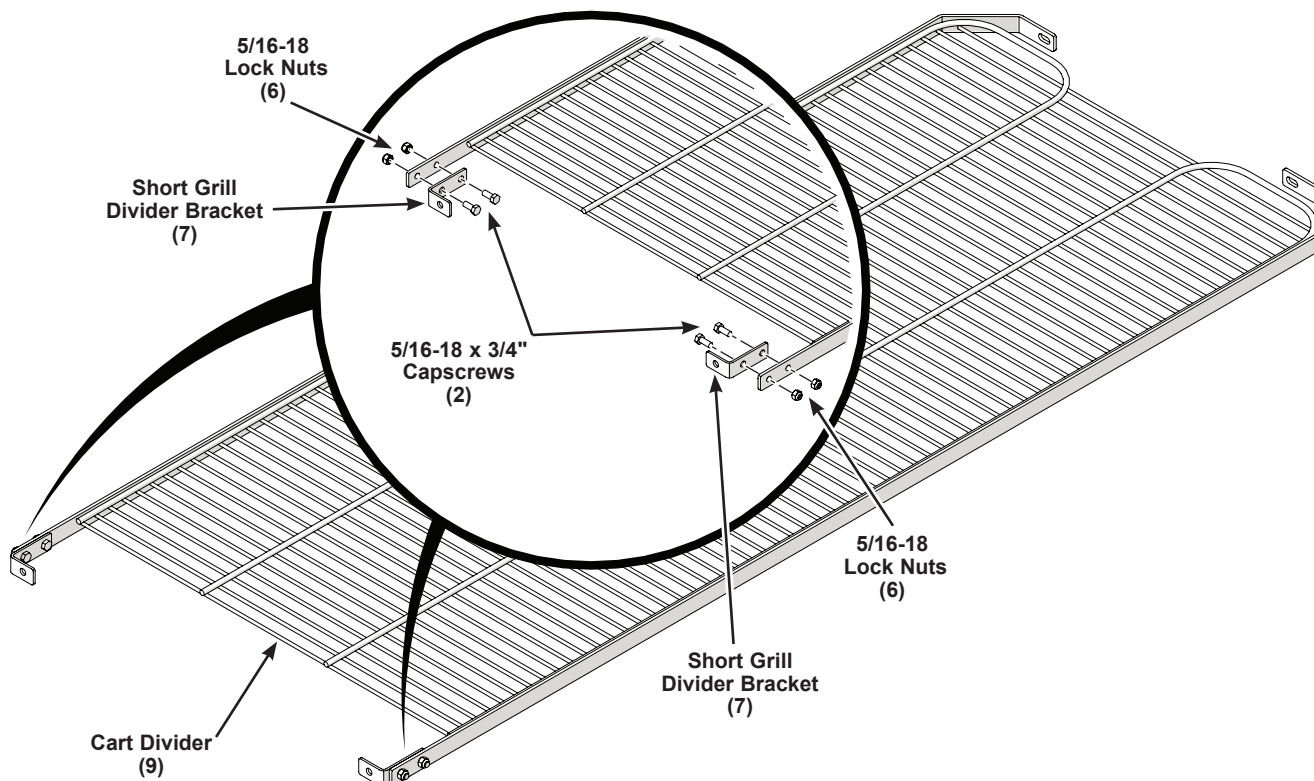
Any remaining brackets may be discarded.

Installation on Team Cart



*This procedure is for installing the cart divider into an Team Cart.
For installing into a X-Cart, go to page 4.*

1. Lay the cart divider (9) flat and align a short grill divider bracket (7) to each side as shown.
Be sure to use the short grill divider brackets (7) and not the long grill divider brackets (8).
2. Attach each bracket to the divider using two 5/16-18 x 3/4" capscrews (2) and two 5/16-18 lock nuts (6).
Only finger-tighten the hardware at this time in case adjustments are needed.

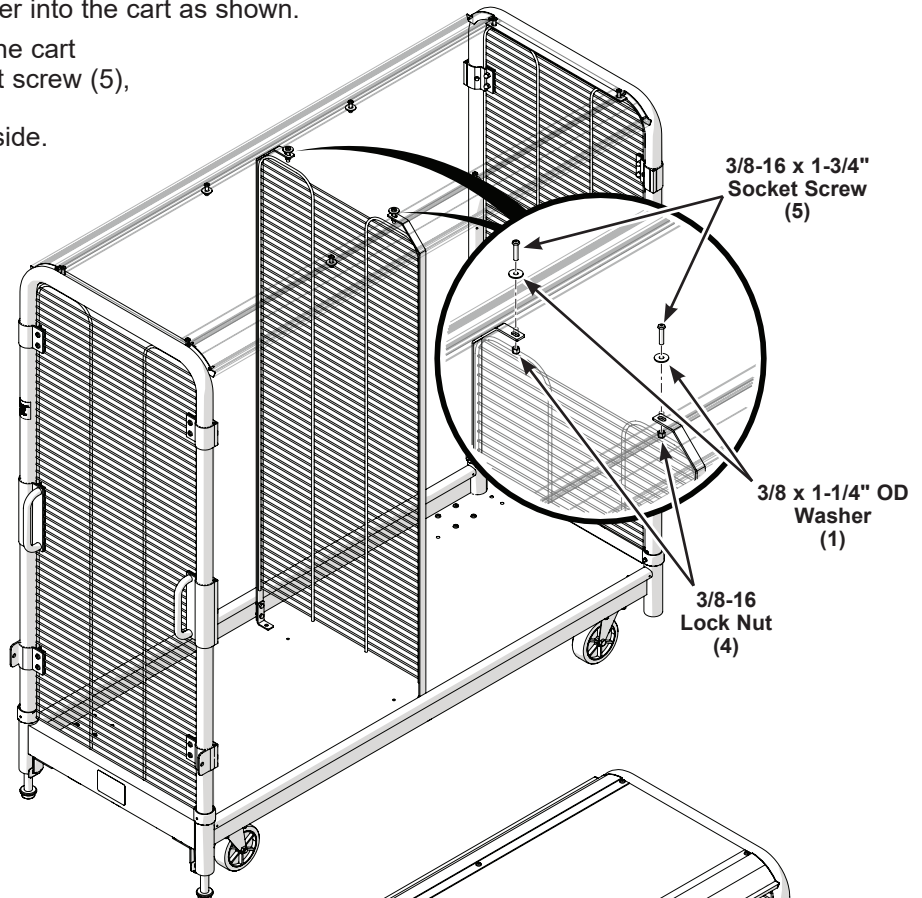


NOTICE

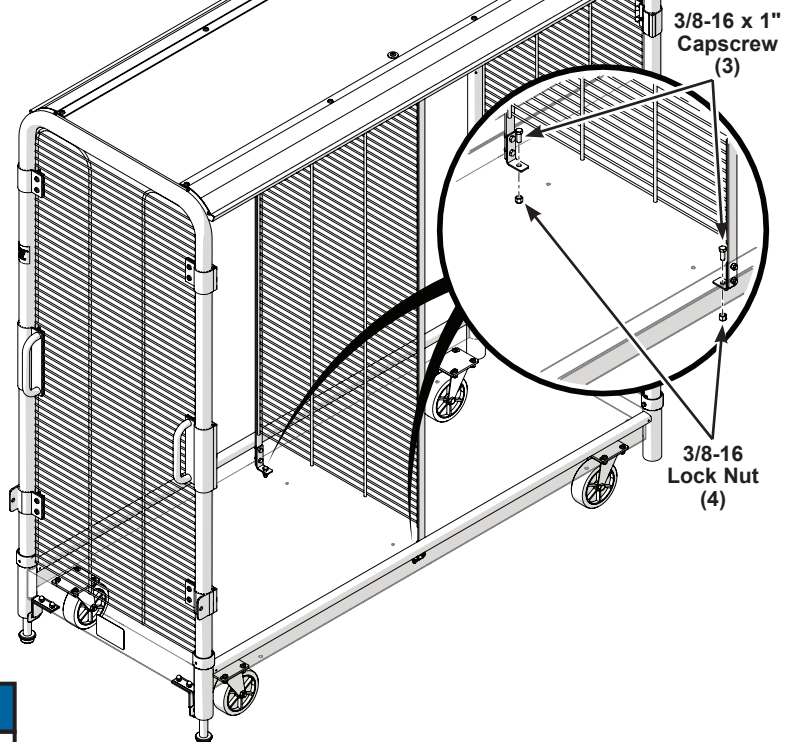
*The cart divider is intended to be installed into existing holes in the top and bottom of the cart.
If these holes are missing, contact Wenger Corporation for drilling instructions.*

Installation on Team Cart (continued)

- Carefully fit the assembled divider into the cart as shown.
- Attach the divider to the top of the cart using one 3/8-16 x 1-3/4" socket screw (5), 3/8 x 1-1/4" OD washer (1) and 3/8-16 lock nut (4) in each side.



- Attach the divider to the bottom of the cart using one 3/8-16 x 1" capscrew (3) and 3/8-16 lock nut (4) in each side.



- With the divider in position, tighten the hardware attached during step 2.

NOTICE

Any remaining brackets may be discarded.

This page is intentionally blank.